

# 8 Relay Outputs

Digital Signal Conditioning for  
VMEbus and Mini-Module Systems

## Features

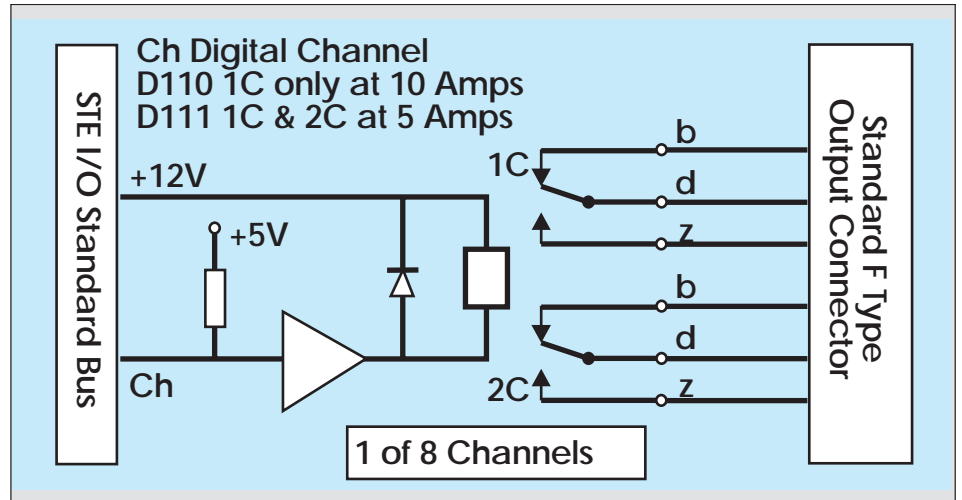
- 8 digital relay output channels
- 10A Single pole option
- 5A Double pole option
- Switches 250V ac or 30V dc
- Industrial standard I/O bus
- TTL compatible
- Compatible with F-Screw
- 3U Single height euro-card

## Description

The D-110 is a digital signal conditioning card which takes TTL compatible outputs from the standard digital I/O bus and feeds them through buffers to relays. There are two versions of the card. The D-110 has a single pole change over contact rated at 10 Amps and the D-111 has double pole change over contacts rated at 5 Amps.

Relays are still a very convenient method of providing isolated high power switching of ac or dc currents. They can be used economically for low speed switching requirements. Applications include ac and dc power switching in industry, factory and laboratory environments.

The board connects to the standard digital I/O bus ribbon cable by means of a 50 way IDC connector. The signals on this cable are TTL compatible as hence can be connected to any digital output port such as those on the Mini-Module, 68K System processor, 80 Channel digital board and the Serial and Digital I/O board. The channels



used by the card are link selectable in groups of eight channels at a time.

Screw terminal connections to external plant are made through the F-Screw board. This mates with the 48 way DIN 41612 type 'F' connector on the relay board.

If, during operation, the system is reset all the output channels on these cards will be turned OFF.

## Specification

### Number of outputs

8 relay channels

### D-110 only

Single pole change over

10 Amps maximum current per channel

### D-111 only

Double pole change over

5 Amps maximum current per channel

### Switching voltages

250 Volts ac

30 Volts dc (max.)

### Coil/Contact proof voltage

4.0 kVolts (rms)

### Channel selection

Link selectable

### Connectors

50 way IDC I/O bus

48 way DIN 41612 type 'F'

### Power requirements

+12 Volts 320mA (max.)

### Temperature range

0 to 55 degC

### Humidity

0 to 90% RH (non condensing)

### Size

3U euro-card 100\*160mm

## Order Codes

D-110	Single Pole 10A Relay output board
D-111	Double Pole 5A Relay output board
F-010	F-Screw Board
K-100	Mini-Module
L-200	Mini-Module+Plus
V-100	VMEbus 68000 System Processor
V-700	VMEbus 80 channel Digital I/O

### Miscellaneous

MD-110	Technical Manual
--------	------------------

D110 940321

## Cambridge Microprocessor Systems Limited,

Unit 17 - 18 Zone 'D',  
Chelmsford Road Ind. Est.,  
Great Dunmow,  
ESSEX, U.K. CM6 1XG  
Tel 01 371 875644  
FAX 0 1371 876077  
E-Mail cms@dial.pipex.com