

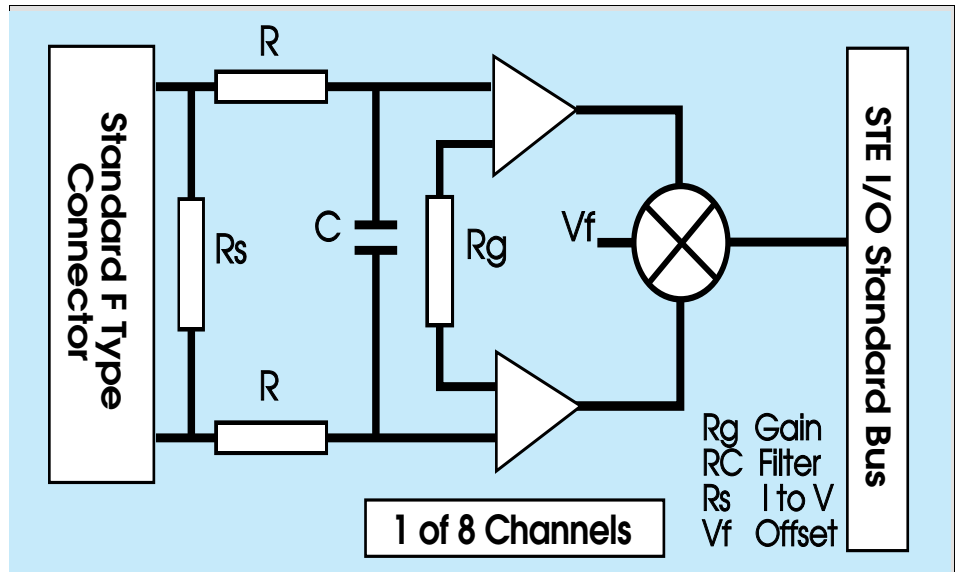


Active Inputs

Analogue Signal Conditioning Board for VMEbus and Mini-Module Systems

Features

- 8 analogue input channels
- On board instrumentation amplifiers
- Gain and offset adjustment
- Differential inputs
- 4-20mA input option
- Input filters on each channel
- Over voltage protection
- Industrial standard I/O bus
- Compatible with F-Screw board
- Single height euro-card



Description

The A-201 is an analogue signal conditioning input card. Used in conjunction with the standard analogue I/O bus, via a 50 way ribbon cable, the card will take analogue inputs from its 48 way type 'F' connector and condition them. Each of the eight differential channels is fed into an instrumentation amplifier which has scale and offset adjustments. The standard board is supplied with a gain of 10 and zero offset, which gives a 0 to 1 Volt input range. The inputs are diode clamped for over voltage protection and the board has provision for filter capacitors.

The A-120 is a 4-20mA input board. It is a factory calibrated version of the A-201. The input resistance is 51 Ohms giving only 1 Volt drop on the current loop. The inputs are floating and will operate anywhere between +/-9 Volts. The instrumentation amplifiers will remove the offset caused by the 4mA so that full 12-bit resolution can be achieved.

Screw terminal connections to external plant are provided on a F-Screw board which mates with the DIN 41612 type 'F' connector on the board.

Specification

Inputs

0 - 1 Volt

4 to 20mA loop

Gain adjustment

By resistor and potentiometer

$G = 20K / R$

$R = 1k5 + 1k \text{ pot as standard}$

Offset adjustment

+/- 50% full scale

Number of channels

8

Analogue input channels

Link selectable to 32 channels

Input protection

Diode clamps to +12V and -12V

Differential input protection

+/-220 Volts

Input resistance

1M ohm

Common mode input voltage

+/-9 Volts

Connectors

50 way IDC I/O bus

48 way DIN 41612 type 'F'

Power requirements

+12 Volts @ 100mA max.

-12 Volts @ 100mA max.

Temperature range

0 to 55 degC

Humidity

0 to 90% RH (non condensing)

Size

3U euro-card 100*160mm

Order Codes

A-201	Active Analogue inputs SCB
A-120	4-20mA Input card
A-601	4-20mA Output card
V-350	VMEbus Analogue Board
K-350	Mini-Module Analogue Board

Miscellaneous

MA-201	Technical Manual
--------	------------------

A201 940321

Cambridge Microprocessor Systems Limited,

Unit 17 - 18 Zone 'D',
Chelmsford Road Ind. Est.,
Great Dunmow,
ESSEX, U.K. CM6 1XG
Tel 01371 875644
FAX 01371 876077